

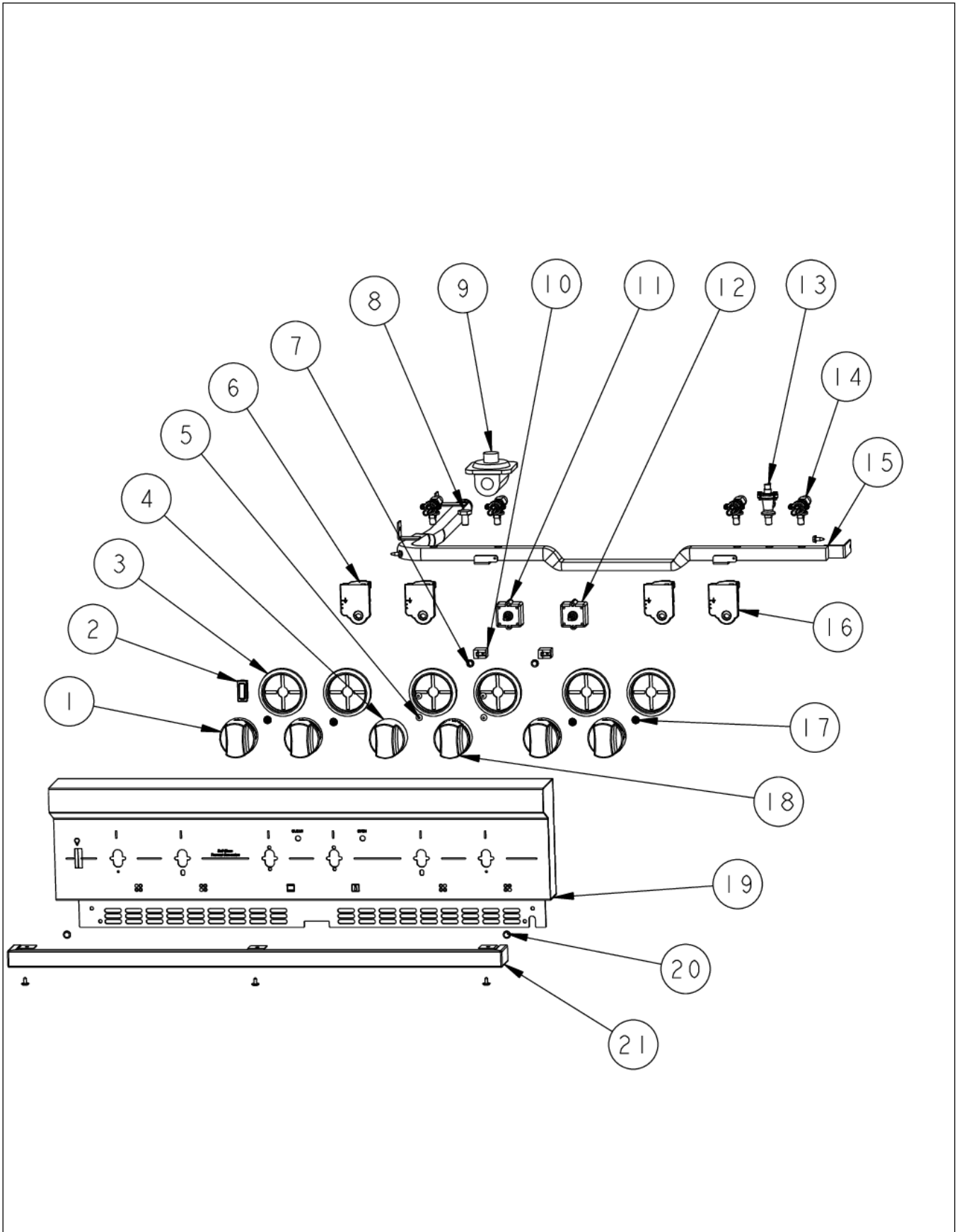
VGSC5304B

CAVITY INTERIOR	1
CONTROL AREA	2
DOOR ASSEMBLY	3
LOWER UNIT AND SIDE PANELS	4
OVEN ELECTRONICS	5
REAR SHEET METAL	6
SURFACE COOKING AREA	7
WIRING	8
Appendix A:Pages Index	A
Appendix B:Parts Index	B

Item	Part No.	Name	Qty	Uom	NOTES
1	PB040171	BROIL IGNITION ELECTRODE	1	EA	
2	B2005589	REAR BROILER BRACKET	1	EA	Not available online / Call for pricing and availability
3	PD020048	NO.10 X 1/2 TEK 410 SS SCREW	25	EA	
4	003860-000	10-18 x .500 FASTNR,SCR,HXWH,STL,ZPLT	9	EA	
5	A1002596	CONVECTION FAN COVER (VDSC)	1	EA	
6	PE050057	CONVECTION FAN (VGSC306)	1	EA	
	NOTE	(BEFORE 8/31/11)			
6	023090-000	MOTOR, CONV ASM	1	EA	
	NOTE	(ON OR AFTER 8/31/11)			
7	A2002595	CONVECTION FAN BOX (VDSC)	1	EA	
8	020404-000	FLAT PANEL	1	EA	
9	PB060030	RACK SUPT REPL PB060010	2	EA	
	NOTE	(BEFORE 12/20/12)			
9	066225-402	GUIDE, RACK, RH- BK	2	EA	
	NOTE	(ON OR AFTER 12/20/12)			
NI	PD020232	#8 X 3/4" PH PAN HEAD TEK SCREW (BLACK OXIDE)	4	EA	
10	PB060044	OVEN RK VDSC30/48RH REPL PB060019	3	EA	
	NOTE	(BEFORE 12/20/12)			
10	040863-000	RACK, PRO, 30"	1	EA	
	NOTE	(ON OR AFTER 12/20/12)			
10	040345-000	RACK, GLDE, 30", PRO ASSY	2	EA	
	NOTE	(ON OR AFTER 12/20/12)			
11	PD010003	10-24 X 1/2 PH.TR.HD.SERD.M.S.	1	EA	
12	PB040170	BAKE IGNITION ELECTRODE	1	EA	
13	005529-000	BAKE ORIFICE MOUNTING BRACKET	1	EA	
	NOTE	(BEFORE 2/11/13)			
13	040736-000	BRKT, ORF	1	EA	

Item	Part No.	Name	Qty	Uom	NOTES
	NOTE	(ON OR AFTER 2/11/13)			
14	005329-000	BURNER, OVEN, ASM	1	EA	
15	005102-000	BURNER PAN ASSEMBLY	1	EA	
16	068456-000	ASM, BOTTOM, CAVITY, OVEN, GAS, 30", GRAY	1	EA	
	NOTE	(INCLUDES HEAT SHIELD)			
17	M0210443	SCREW-E SM VM0210443	2	EA	
18	A2004428	REAR BOTTOM BRCKT (VGSC306)	1	EA	
19	PD030010	#10-24 KEPS NUT ZINC PLATED	1	EA	
20	068653-601	LIGHT, 120V/25W, G9, HALOGEN, SIDE	4	EA	
21	PD020067	#6 X 3/8" PAN PHIL. TEK *SS*	4	EA	
22	E9107933	BROILER PAN	1	EA	NO LONGER AVAILABLE
23	E9107934	BROILER PAN INSERT - NLA	1	EA	
24	G9104482	CONVECTION FAN COVER ASSY (VGSC306)	1	EA	NO LONGER AVAILABLE
25	020409-000	BRACKET, SPRT, FR, I/R BROILER	1	EA	
26	085109-000	IR BROIL BURNER KIT	1	EA	
NI	A2004439	OVEN BOTTOM SHIELD (VGSC306)	1	EA	
27	007008-000	RTD PROBE	1	EA	
NI	031679-000	RECEPTACLE, HINGE	2	EA	
28	008026-000	#6-20 HEX WASHER SS SCREW	12	EA	
NI	007278-000	ARM HINGE CLIP	2	EA	
	NOTE	(BEFORE 01/02/13)			
NI	049718-402	CLIP, RETAINER, HINGE, GLOSS BLACK ENAMEL	2	EA	
	NOTE	(AFTER 01/02/13)			

CONTROL AREA

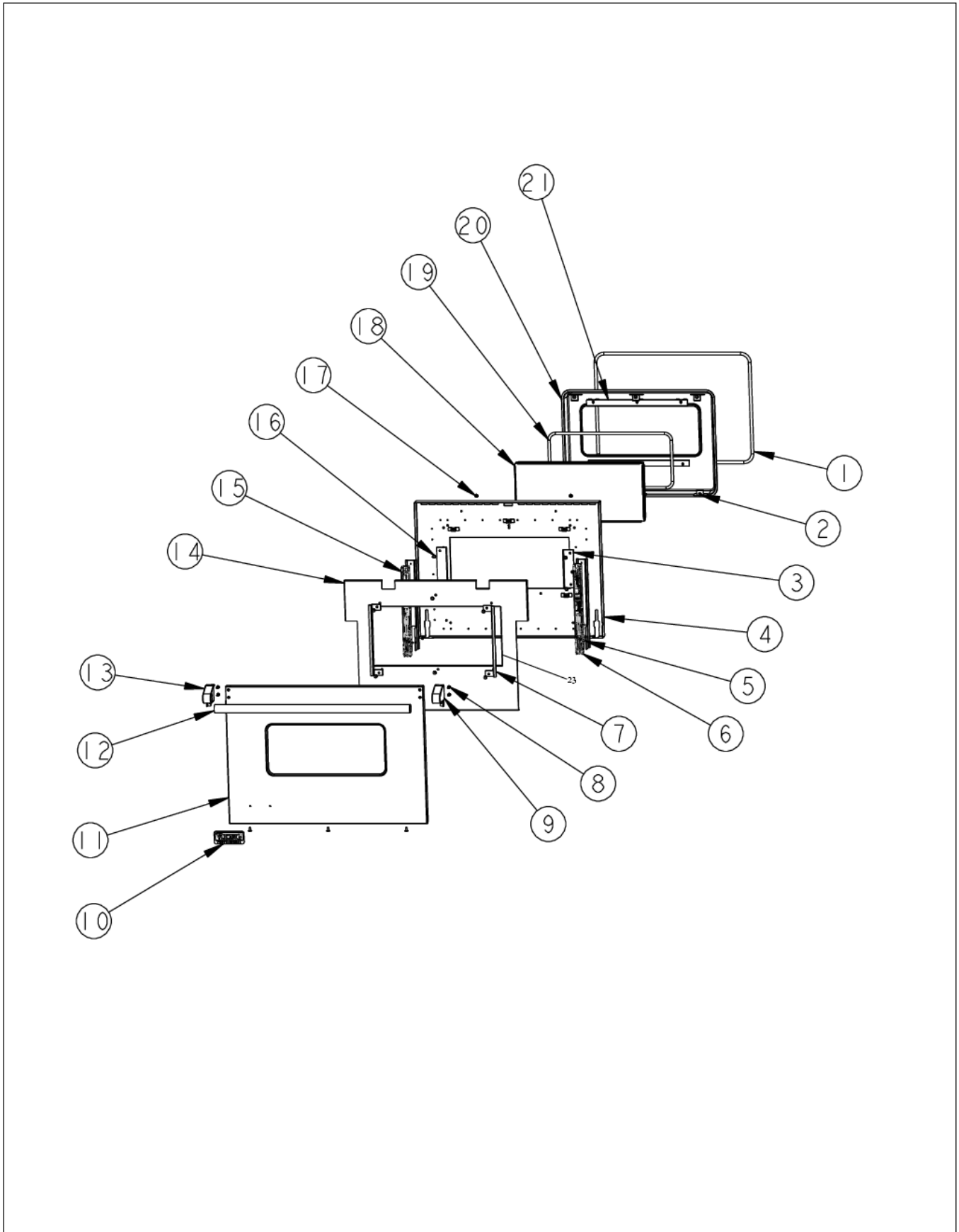


Item	Part No.	Name	Qty	Uom	NOTES
1	005269-000	RANGE TOP BURNER KNOB-BRUSHED, SSS	4	EA	NO LONGER AVAILABLE
	NOTE	BEFORE 12/20/12			
1	035881-000	KNOB, BNR, TOP PRO CR3	4	EA	
	NOTE	AFTER 12/20/12			
2	003719-000	OVEN LIGHT SWITCH, BLACK	1	EA	
3	050172-000	BEZEL, KNOB	6	EA	
4	008415-000	KNOB, SEL, #3 SSS, ASM, VGSC	1	EA	
	NOTE	BEFORE 12/20/12			
4	035887-000	KNOB,OVN,SEL, PRO VGSC CR3	1	EA	
	NOTE	AFTER 12/20/12			
5	PD120044	PROTECTIVE FILM (8071049)	4	EA	NO LONGER AVAILABLE
6	035795-000	MODULE, IGN, GAS,SNGL	3	EA	
7	PE050023	OVEN IND. LIGHT (LENS & BEZEL)	2	EA	NO LONGER AVAILABLE
8	PA010012	ROPER PLUG	1	EA	
9	PA070003	PRESSURE REGULATOR (NAT.)	1	EA	
9	013386-000	LP PRESSURE REGULATOR	1	EA	
10	PE050024	OVEN IND. LIGHT (LIGHT HOUSING)	1	EA	
11	PJ030034	SELECTOR (6 POS)	1	EA	
12	PJ030035	THERMOSTAT	1	EA	
13	007147-000	SHUT OFF VALVE	1	EA	
14	006313-000	VALVE,BRS,ASM, TOP,BURNER , FLRE,FTG, 5/8 - 18 UNF	4	EA	
15	002926-000	GAS MANIFOLD, REDESIGN	1	EA	
16	035795-000	MODULE, IGN, GAS,SNGL	4	EA	
17	PD020046	#8 X 1/2 SCREWS	4	EA	
18	005270-000	RANGE THERMOSTAT KNOB-BRUSHED, SSS	1	EA	NO LONGER AVAILABLE
	NOTE	BEFORE 12/20/12			
18	035893-000	KNOB, OVEN, TSTAT, PRO CR3	1	EA	
	NOTE	AFTER 12/20/12			



Item	Part No.	Name	Qty	Uom	NOTES
19	025711-2057	CONTROL PANEL ASM, VGSC530-4B W/GRAPHICS	1	EA	
20	PD020032	SRW-8(A)X3/8"PH.WFR HD 7/16DIA*NICL	5	EA	
21	009331-000	TRIM, ASM	1	EA	NO LONGER AVAILABLE

DOOR ASSEMBLY

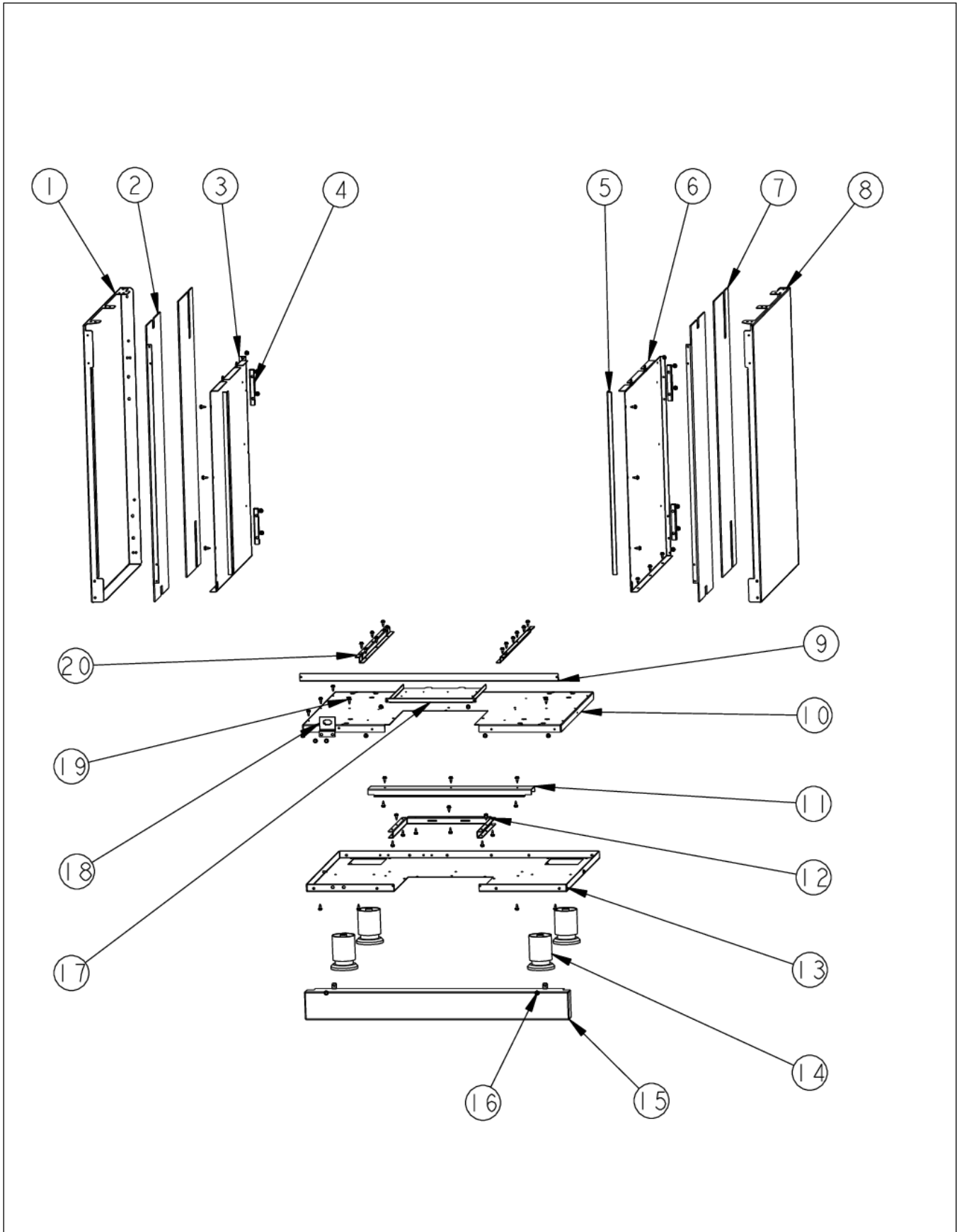


Item	Part No.	Name	Qty	Uom	NOTES
1	000042-000	30" DOOR GASKET	1	EA	
2	PD020014	10X3/4 PH TR HD SMS	12	EA	
3	A2002189	DOOR GLASS STANDOFF (VDSC)	2	EA	
4	004691-000	DOOR LINER ASSY	1	EA	NO LONGER AVAILABLE
5	PD010003	10-24 X 1/2 PH.TR.HD.SERD.M.S.	2	EA	
6	002740-000	HINGE,DOOR,MANSFIELD,30", DUEL FUEL	2	EA	
7	007583-000	BRACKET, GLASS	2	EA	
8	030823-000	#10-32 PAN HEAD PHILLIPS MACHINE SCREW	8	EA	
9	003012-000	DOOR HANDLE ENDCAP ASSY, RH (CHROME)	1	EA	
10	PE010016	LOGO (ALL RANGES) *BK/CHR 307997W	1	EA	
11	023453-000	SVC DOOR SKIN KIT, VGSC, IC, CC 30"SS	1	EA	
11	023454-002	SVC DOOR SKIN KIT, VGSC, IC, CC 30" BK	1	EA	
11	023454-003	SVC DOOR SKIN KIT, VGSC, IC, CC 30" BT	1	EA	
11	023454-004	SVC DOOR SKIN KIT, VGSC, IC, CC 30" SG	1	EA	Not available online / Call for pricing and availability
11	023454-005	SVC DOOR SKIN KIT, VGSC, IC, CC 30" GG	1	EA	NO LONGER AVAILABLE
11	023454-006	SVC DOOR SKIN KIT, VGSC, IC, CC 30" WH	1	EA	
11	023454-008	SVC DOOR SKIN KIT, VGSC, IC, CC 30" BU	1	EA	Not available online / Call for pricing and availability
11	023454-009	SVC DOOR SKIN KIT, VGSC, IC, CC 30" LE	1	EA	
11	023454-010	SVC DOOR SKIN KIT, VGSC, IC, CC 30" MJ	1	EA	Not available online / Call for pricing and availability
11	023454-012	SVC DOOR SKIN KIT, VGSC, IC, CC 30" VB	1	EA	

Item	Part No.	Name	Qty	Uom	NOTES
11	023454-013	SVC DOOR SKIN KIT, VGSC, IC, CC 30" CB	1	EA	
11	023454-015	SVC DOOR SKIN KIT, VGSC, IC, CC 30" PL	1	EA	Not available online / Call for pricing and availability
11	023454-016	SVC DOOR SKIN KIT, VGSC, IC, CC 30" CH	1	EA	Not available online / Call for pricing and availability
11	023454-017	SVC DOOR SKIN KIT, VGSC, IC, CC 30" TP	1	EA	
11	023454-018	SVC DOOR SKIN KIT, VGSC, IC, CC 30" CW	1	EA	Not available online / Call for pricing and availability
11	023454-019	SVC DOOR SKIN KIT, VGSC, IC, CC 30" OG	1	EA	Not available online / Call for pricing and availability
11	023454-020	SVC DOOR SKIN KIT, VGSC, IC, CC 30" GM	1	EA	Not available online / Call for pricing and availability
11	023454-021	SVC DOOR SKIN KIT, VGSC, IC, CC 30" SA	1	EA	Not available online / Call for pricing and availability
11	023454-022	SVC DOOR SKIN KIT, VGSC, IC, CC 30" SE	1	EA	Not available online / Call for pricing and availability
11	023454-023	SVC DOOR SKIN KIT, VGSC, IC, CC 30" IB	1	EA	
11	023454-024	PANEL,DOOR,ASM,OTR,DECARB VGCC530 AR	1	EA	
11	023454-025	SVC DOOR SKIN KIT, VGSC, IC, CC 30" RR	1	EA	
11	023454-026	SVC DOOR SKIN KIT, VGSC, IC, CC 30" PM	1	EA	
11	023454-027	SVC DOOR SKIN KIT, VGSC, IC, CC 30" MS	1	EA	Not available online / Call for pricing and availability
12	002728-000	DOOR HANDLE - SS, 1.25" 29.5	1	EA	
13	003011-000	DOOR HANDLE ENDCAP ASSY, LH (CHROME)	1	EA	

Item	Part No.	Name	Qty	Uom	NOTES
14	004688-000	DOOR PANEL INSULATION LINER	1	EA	
15	PD020004	10X3/8PH.HD.TYPE 25 REPL PD040125	1	EA	
16	PD020002	10 X 1/2 PH.TR.HD.SMS.	4	EA	
17	PD020063	SCREW-#8(A) X 3/8"PH WFR HD/BK OXID	2	EA	
18	PE060064	WINDOW PACK, SELF CLEANING OVEN 30"	1	EA	
19	000594-000	BLACK FIBERGLASS ROPE	1	EA	
20	G9102745	DR PG ASSY VDSC30/48" RE H9102175 (Before 12/20/2012)	1	EA	
21	A2007943	GLASSPACK BRACKET, LARGE	1	EA	
22	024604-000	INSULATION ANGLE	1	EA	Not available online / Call for pricing and availability
23	PE060039	GLASS-HEAT TREATED (HB2) VDSC	1	EA	
NI	005369-000	DOOR ASSEMBLY, VGSC530	1	EA	
NI	012930-002	DOOR, ASM, BK VGSC530	1	EA	
NI	012930-012	DOOR, ASM, VB VGSC530	1	EA	Not available online / Call for pricing and availability

LOWER UNIT AND SIDE PANELS



Item	Part No.	Name	Qty	Uom	NOTES
1	003588-000	SIDE PANEL, LH, SS	1	EA	
1	005506-002	SIDE PANEL, LH ASSY, PAINTED BK	1	EA	
1	005506-003	SIDE PANEL, LH ASSY, PAINTED BT	1	EA	
1	005506-004	SIDE PANEL, LH ASSY, PAINTED SG	1	EA	
1	005506-005	SIDE PANEL, LH ASSY, PAINTED GG	1	EA	
1	005506-006	SIDE PANEL, LH ASSY, PAINTED WH	1	EA	
1	005506-007	SIDE PANEL, LH ASSY, PAINTED AL	1	EA	
1	005506-008	SIDE PANEL, LH ASSY, PAINTED BU	1	EA	
1	005506-009	SIDE PANEL, LH ASSY, PAINTED LE	1	EA	
1	005506-010	SIDE PANEL, LH ASSY, PAINTED MJ	1	EA	
1	005506-011	SIDE PANEL, LH ASSY, PAINTED FG	1	EA	
1	005506-012	SIDE PANEL, LH ASSY, PAINTED VB	1	EA	
1	005506-013	SIDE PANEL, LH ASSY, PAINTED CB	1	EA	
1	005506-014	SIDE PANEL, LH ASSY, PAINTED EP	1	EA	
1	005506-015	SIDE PANEL, LH ASSY, PAINTED PL	1	EA	
1	005506-016	SIDE PANEL, LH ASSY, PAINTED CH	1	EA	
1	005506-017	SIDE PANEL, LH ASSY, PAINTED TP	1	EA	
1	005506-018	SIDE PANEL, LH ASSY, PAINTED CW	1	EA	
1	005506-019	SIDE PANEL, LH ASSY, PAINTED OG	1	EA	
1	005506-020	SIDE PANEL, LH ASSY, PAINTED GM	1	EA	
1	005506-021	SIDE PANEL, LH ASSY, PAINTED SA	1	EA	
1	005506-022	SIDE PANEL, LH ASSY, PAINTED SE	1	EA	

Item	Part No.	Name	Qty	Uom	NOTES
1	005506-023	SIDE PANEL, LH ASSY, PAINTED IB	1	EA	
1	005506-024	SIDE PANEL, LH ASSY, PAINTED AR	1	EA	
1	005506-025	SIDE PANEL, LH ASSY, PAINTED RR	1	EA	
1	005506-026	SIDE PANEL, LH ASSY, PAINTED PM	1	EA	
1	005506-027	SIDE PANEL, LH ASSY, PAINTED MS	1	EA	
2	002238-000	HEAT SINK-SIDE PANEL	2	EA	NO LONGER AVAILABLE, Not available online / Call for pricing and availability
3	004482-000	INSULATION, PNL, SIDE, LH	1	EA	
4	006744-000	STANDOFF, CAB, VGSC	4	EA	Not available online / Call for pricing and availability
5	005536-000	TRIM	2	EA	
6	004479-000	INSULATION, PNL, SIDE, RH	1	EA	
7	007488-000	SINK, REAR, SIDE	2	EA	
8	002905-000	SIDE PANEL, RH, SST	1	EA	
8	005503-002	SIDE PANEL, RH ASSY, PAINTED BK	1	EA	
8	005503-003	SIDE PANEL, RH ASSY, PAINTED BT	1	EA	
8	005503-004	SIDE PANEL, RH ASSY, PAINTED SG	1	EA	
8	005503-005	SIDE PANEL, RH ASSY, PAINTED GG	1	EA	
8	005503-006	SIDE PANEL, RH ASSY, PAINTED WH	1	EA	
8	005503-007	SIDE PANEL, RH ASSY, PAINTED AL	1	EA	
8	005503-008	SIDE PANEL, RH ASSY, PAINTED BU	1	EA	
8	005503-009	SIDE PANEL, RH ASSY, PAINTED LE	1	EA	
8	005503-010	SIDE PANEL, RH ASSY, PAINTED MJ	1	EA	

Item	Part No.	Name	Qty	Uom	NOTES
8	005503-011	SIDE PANEL, RH ASSY, PAINTED FG	1	EA	
8	005503-012	SIDE PANEL, RH ASSY, PAINTED VB	1	EA	
8	005503-013	SIDE PANEL, RH ASSY, PAINTED CB	1	EA	
8	005503-014	SIDE PANEL, RH ASSY, PAINTED EP	1	EA	
8	005503-015	SIDE PANEL, RH ASSY, PAINTED PL	1	EA	
8	005503-016	SIDE PANEL, RH ASSY, PAINTED CH	1	EA	
8	005503-017	SIDE PANEL, RH ASSY, PAINTED TP	1	EA	
8	005503-018	SIDE PANEL, RH ASSY, PAINTED CW	1	EA	
8	005503-019	SIDE PANEL, RH ASSY, PAINTED OG	1	EA	
8	005503-020	SIDE PANEL, RH ASSY, PAINTED GM	1	EA	
8	005503-021	SIDE PANEL, RH ASSY, PAINTED SA	1	EA	
8	005503-022	SIDE PANEL, RH ASSY, PAINTED SE	1	EA	
8	005503-023	SIDE PANEL, RH ASSY, PAINTED IB	1	EA	
8	005503-024	SIDE PANEL, RH ASSY, PAINTED AR	1	EA	
8	005503-025	SIDE PANEL, RH ASSY, PAINTED RR	1	EA	
8	005503-026	SIDE PANEL, RH ASSY, PAINTED PM	1	EA	
8	005503-027	SIDE PANEL, RH ASSY, PAINTED MS	1	EA	
9	006199-000	SPACER, BOT, 30", GSC	1	EA	
10	003052-000	BASE TOP PLATE (NON SERVICEABLE PART)	1	EA	
11	003055-000	STIFFENER, BRACE, LWR	1	EA	
12	003054-000	BASE CENTER CUTOUT STIFFENER	1	EA	
13	003056-000	BASE ASSEMBLY	1	EA	
14	044178-000	RANGE, LEG, ADJUSTABLE	4	EA	

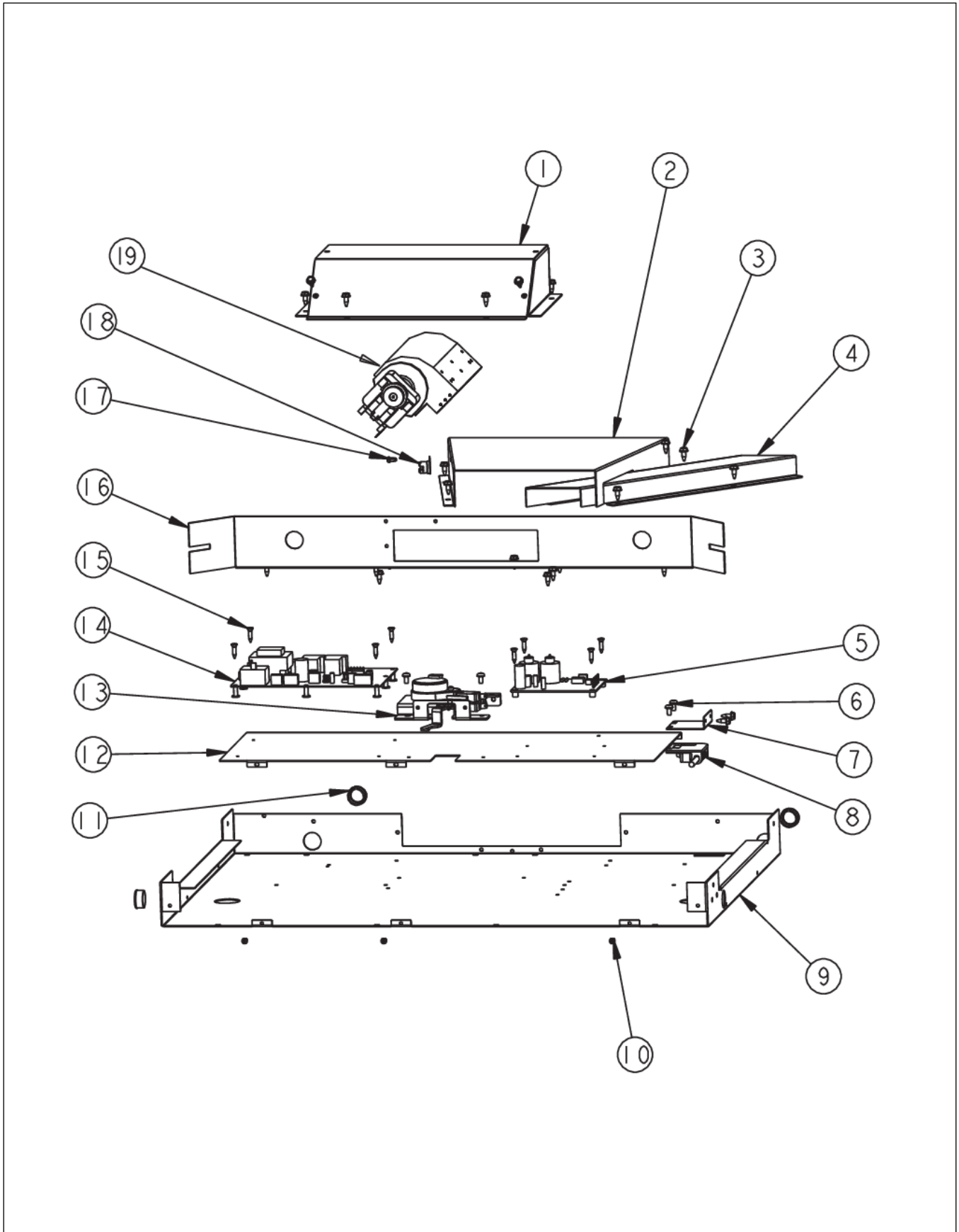
Item	Part No.	Name	Qty	Uom	NOTES
15	006198-000	PANEL, ACS, 30", GSC	1	EA	
	NOTE	(BEFORE 06/14/12)			
15	035955-000	PANEL, ACS, 30", GSC	1	EA	
	NOTE	(FROM 6/14/12 - 6/14/13)			
15	038426-000	KICKPLATE,30"	1	EA	
	NOTE	(ON OR AFTER 06/14/13)			
15	007361-002	PANEL, ACS, 30", KICKPLATE, BK	1	EA	
	NOTE	(BEFORE 06/14/13)			
15	038577-002	KICKPLATE, 30" BK	1	EA	
	NOTE	(ON OR AFTER 06/14/13)			
15	007361-003	PANEL, ACS, 30", KICKPLATE, BT	1	EA	
	NOTE	(BEFORE 06/14/13)			
15	038577-003	KICKPLATE 30" BT	1	EA	
	NOTE	(ON OR AFTER 06/14/13)			
15	007361-004	PANEL, ACS, 30", KICKPLATE, SG	1	EA	
	NOTE	(BEFORE 06/14/13)			
15	038577-004	KICKPLATE 30" SG	1	EA	
	NOTE	(ON OR AFTER 06/14/13)			
15	007361-005	PANEL, ACS, 30", KICKPLATE, GG	1	EA	
	NOTE	(BEFORE 06/14/13)			
15	038577-005	KICKPLATE, 30" GG	1	EA	
	NOTE	(ON OR AFTER 06/14/13)			
15	007361-006	PANEL, ACS, 30", KICKPLATE, WH	1	EA	
	NOTE	(BEFORE 06/14/13)			
15	038577-006	KICKPLATE, 30" WH	1	EA	
	NOTE	(ON OR AFTER 06/14/13)			
15	007361-008	PANEL, ACS, 30", KICKPLATE, BU	1	EA	
	NOTE	(BEFORE 06/14/13)			
15	038577-008	KICKPLATE, 30" BU	1	EA	

Item	Part No.	Name	Qty	Uom	NOTES
	NOTE	(ON OR AFTER 06/14/13)			
15	007361-009	PANEL, ACS, 30", KICKPLATE, LE	1	EA	
	NOTE	(BEFORE 06/14/13)			
15	038577-009	KICKPLATE 30" LE	1	EA	
	NOTE	(ON OR AFTER 06/14/13)			
15	007361-010	PANEL, ACS, 30", KICKPLATE, MJ	1	EA	
	NOTE	(BEFORE 06/14/13)			
15	038577-010	KICKPLATE 30" MJ	1	EA	
	NOTE	(ON OR AFTER 06/14/13)			
15	007361-012	PANEL, ACS, 30", KICKPLATE, VB	1	EA	
	NOTE	(BEFORE 06/14/13)			
15	038577-012	KICKPLATE 30" VB	1	EA	
	NOTE	(ON OR AFTER 06/14/13)			
15	007361-013	PANEL, ACS, 30", KICKPLATE, CB	1	EA	
	NOTE	(BEFORE 06/14/13)			
15	038577-013	KICKPLATE, 30" CB	1	EA	
	NOTE	(ON OR AFTER 06/14/13)			
15	007361-015	PANEL, ACS, 30", KICKPLATE, PL	1	EA	
	NOTE	(BEFORE 06/14/13)			
15	038577-015	KICKPLATE 30" CH	1	EA	
	NOTE	(ON OR AFTER 06/14/13)			
15	007361-016	PANEL, ACS, 30", KICKPLATE, CH	1	EA	Not available online / Call for pricing and availability
	NOTE	(BEFORE 06/14/13)			
15	038577-015	KICKPLATE 30" CH	1	EA	
	NOTE	(ON OR AFTER 06/14/13)			
15	007361-017	PANEL, ACS, 30" KICKPLATE, TP	1	EA	
	NOTE	(BEFORE 06/14/13)			
15	038577-017	KICKPLATE 30" OG	1	EA	

Item	Part No.	Name	Qty	Uom	NOTES
	NOTE	(ON OR AFTER 06/14/13)			
15	007361-018	PANEL, ACS, 30" KICKPLATE, CW NLA	1	EA	
	NOTE	(BEFORE 06/14/13)			
15	038577-017	KICKPLATE 30" OG	1	EA	
	NOTE	(ON OR AFTER 06/14/13)			
15	007361-019	PANEL, ACS, 30", KICKPLATE, OG	1	EA	
	NOTE	(BEFORE 06/14/13)			
15	038577-019	KICKPLATE 30" OG	1	EA	
	NOTE	(ON OR AFTER 06/14/13)			
15	007361-020	PANEL, ACS, 30", KICKPLATE, GM	1	EA	
	NOTE	(BEFORE 06/14/13)			
15	038577-020	KICKPLATE 30" GM	1	EA	
	NOTE	(ON OR AFTER 06/14/13)			
15	007361-021	PANEL, ACS, 30", KICKPLATE, SA	1	EA	
	NOTE	(BEFORE 06/14/13)			
15	038577-021	KICKPLATE 30" SA	1	EA	
	NOTE	(ON OR AFTER 06/14/13)			
15	007361-022	PANEL, ACS, 30" KICKPLATE, SE	1	EA	Not available online / Call for pricing and availability
	NOTE	(BEFORE 06/14/13)			
15	038577-022	KICKPLATE 30" SE	1	EA	
	NOTE	(ON OR AFTER 06/14/13)			
15	007361-023	PANEL, ACS, 30", KICKPLATE, IB	1	EA	
	NOTE	(BEFORE 06/14/13)			
15	038577-023	KICKPLATE 30" IB	1	EA	
	NOTE	(ON OR AFTER 06/14/13)			
15	007361-024	PANEL, ACS, 30", KICKPLATE, AR	1	EA	
	NOTE	(BEFORE 06/14/13)			
15	038577-024	KICKPLATE, 30" AR	1	EA	

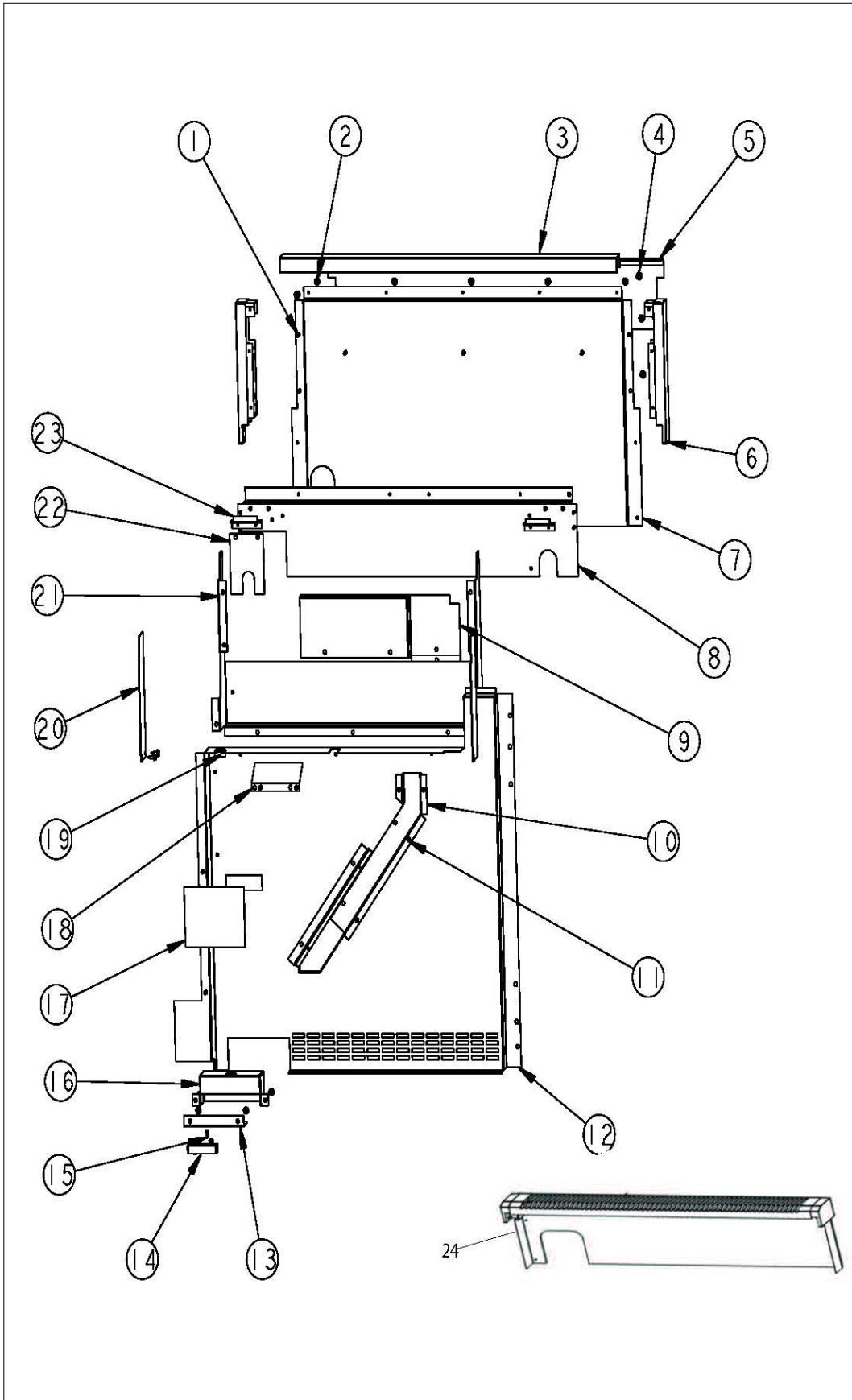
Item	Part No.	Name	Qty	Uom	NOTES
	NOTE	(ON OR AFTER 06/14/13)			
15	007361-025	PANEL, ACS, 30", KICKPLATE, RR	1	EA	
	NOTE	(BEFORE 06/14/13)			
15	038577-025	KICKPLATE 30" RR	1	EA	
	NOTE	(ON OR AFTER 06/14/13)			
15	007361-026	PANEL, ACS, 30", KICKPLATE, PM	1	EA	
	NOTE	(BEFORE 06/14/13)			
15	038577-026	KICKPLATE, 30" PM	1	EA	
	NOTE	(ON OR AFTER 06/14/13)			
15	007361-027	PANEL, ACS, 30", KICKPLATE, MS	1	EA	
	NOTE	(BEFORE 06/14/13)			
15	038577-027	KICKPLATE 30" MS	1	EA	
	NOTE	(ON OR AFTER 06/14/13)			
16	PD020063	SCREW-#8(A) X 3/8"PH WFR HD/BK OXID	2	EA	
17	005537-000	PLATE, MTG, LWR	1	EA	
18	005280-000	DISCONNECT BRKT	1	EA	
19	003860-000	10-18 x .500 FASTNR,SCR,HXWH,STL,ZPLT	77	EA	
20	A2004429	OVEN BOTTOM INSUL. BRACE (VGSC306)	2	EA	

OVEN ELECTRONICS



Item	Part No.	Name	Qty	Uom	NOTES
1	006959-000	COVER, FAN	1	EA	
2	005464-000	DUCT, VENT	1	EA	
3	003860-000	10-18 x .500 FASTNR,SCR,HXWH,STL,ZPLT	26	EA	
4	006950-000	DUCT, VENT	1	EA	
5	PA020056	NLA - See TC-0063D-SP for kit number (see comments)	1	EA	
	NOTE	(BEFORE 12/29/10)			
5	023651-000	DSI120-2-LVS	1	EA	
	NOTE	(ON OR AFTER 12/29/10)			
6	PD020004	10X3/8PH.HD.TYPE 25 REPL PD040125	4	EA	
7	A20012649	DOOR SWITCH BRACKET	1	EA	
8	PE050208	DOOR SWITCH	1	EA	
9	NOT REPLACEABLE	CABINET TOP	N/A	EA	
10	PD020076	6-32 X 3/8" PHILL PAN MS	3	EA	
11	PD040005	SNAP BUSHING - 7/8"	3	EA	
12	005315-000	TRAY, ELEX, 30", GSC	1	EA	
13	012565-000	LATCH, DOOR, ASM, 120V, LOCKED POSITION	1	EA	
14	015981-000	CONTROL,BD,EOC2 GAS SELF CLEAN	1	EA	
	NOTE	IF UNIT PRODUCED PRIOR TO 7/6/2009 AN ADDITIONAL KIT MAY BE REQUIRED, SEE TC- 0043-SP BEFORE ORDERERING		EA	
15	PD020061	' #8 X 3/4 FLAT HD TEK. *SS*	8	EA	
16	006114-000	DIVIDER, AIR	1	EA	
17	PD020013	TYPE "AB" #6 X 3/8 PH PAN HD. SMS	2	EA	
18	PJ030039	BI-METAL THERMOSTAT 275 DEGREES	1	EA	
19	PE050250	Blower	1	EA	

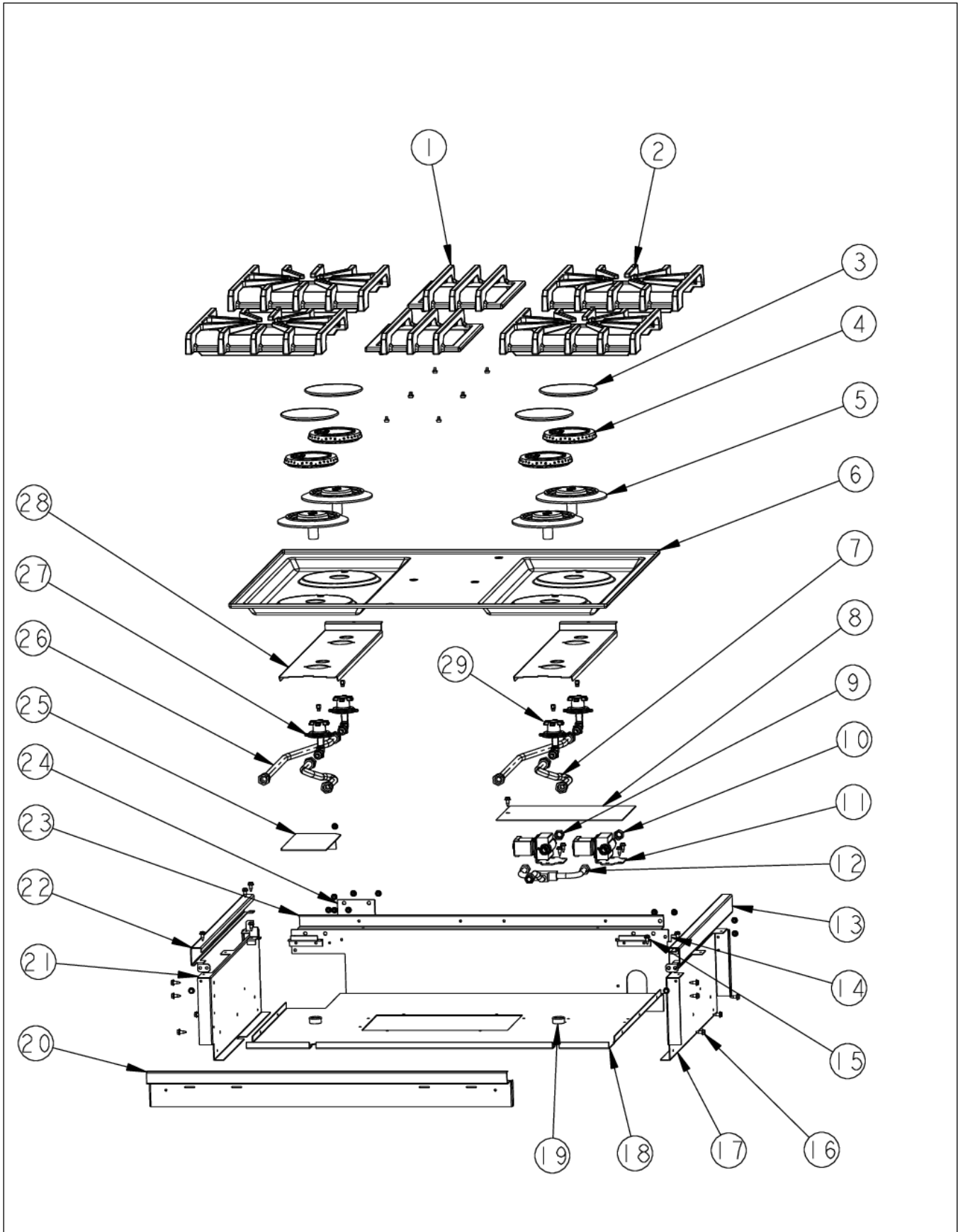
REAR SHEET METAL



Item	Part No.	Name	Qty	Uom	NOTES
1	PD010003	10-24 X 1/2 PH.TR.HD.SERD.M.S.	8	EA	
2	PD020046	#8 X 1/2 SCREWS	8	EA	
3	003810-000	BACKGUARD TOP, SS	1	EA	
4	PD020056	#10-24 X 1/2" PH. TR. M.S. SS	2	EA	
5	006638-000	SHEILD, HEAT, BACKGUARD	1	EA	
6	002703-000	BACKGUARD ENDCAP	2	EA	
7	006637-000	BACKGUARD, BACK	1	EA	
8	006035-000	SUPPORT, BACK	1	EA	
9	006962-000	COVER, INL, BACK	1	EA	
10	006949-000	DUCT, AIR, ASM	1	EA	
11	003860-000	10-18 x .500 FASTNR,SCR,HXWH,STL,ZPLT	35	EA	
12	032123-000	CABINET, BACK		EA	
13	007484-000	TERMINAL, BLOCK, BRACKET	1	EA	
14	007400-000	BLOCK, TERMINAL	1	EA	
15	PD020076	6-32 X 3/8" PHILL PAN MS	1	EA	
16	031961-000	COVER, TERM. BLOCK		EA	
17	004285-000	INSULATION, FOIL- BACKED,4"x5"	1	EA	
18	006952-000	DEFLECTOR, AIR	1	EA	
19	PD040005	SNAP BUSHING - 7/8"	1	EA	
20	007486-000	PLATE, INSL	2	EA	
21	006961-000	BACK COLLAR	1	EA	
22	006687-000	REGULATOR COVER PLATE	1	EA	
23	007485-000	TRAY, INSL	2	EA	
24	004464-000	TRIM, IS, ASM, REDESIGN, 30"	1	EA	
	NOTE	(BEFORE 01/17/13)			
24	041445-000	TRIM, IS, ASSY, 30"	1	EA	
	NOTE	(ON OR AFTER 01/17/13)			
NI	005516-000	ISLAND TRIM, BACK	1	EA	
NI	007489-000	INSULATION, REAR, SUPPORT	2	EA	
NI	007490-000	INSULATION, TRIM	2	EA	
NI	007491-000	INSULATION, SIDE PANEL	2	EA	

Item	Part No.	Name	Qty	Uom	NOTES
NI	032157-000	PANEL, OUTER, 30"	1	EA	
NI	032131-000	PANEL, BACK 36"	1	EA	
NI	032138-000	COVER, REAR, 36" NON-SELF-CLEAN	1	EA	Not available online / Call for pricing and availability
NI	032179-000	CABINET, BACK, OTR, 30"	1	EA	Not available online / Call for pricing and availability
NI	032208-000	PANEL, BACK, OUTER, 36"	1	EA	Not available online / Call for pricing and availability
NI	032238-000	PANEL, BACK	1	EA	Not available online / Call for pricing and availability
NI	PD040005	SNAP BUSHING - 7/8"	1	EA	
NI	A2002654	ANTI-TIP DEVICE (VDSC)	1	EA	
NI	034927-000	BRACKET, ANTI-TIP	1	EA	
NI	034928-000	BRACKET, HOOK, ANTI-TIP	1	EA	

SURFACE COOKING AREA

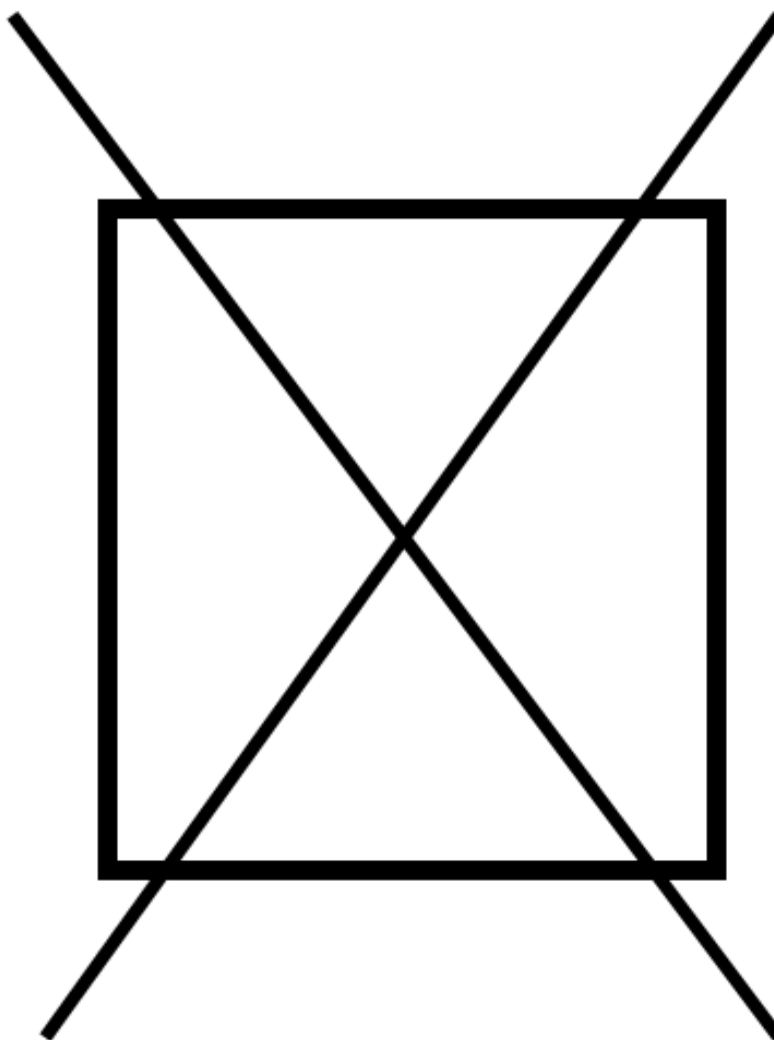


Item	Part No.	Name	Qty	Uom	NOTES
1	002907-000	CENTER GRATE, REDESIGN	2	EA	
	NOTE	(BEFORE 12/4/14)		EA	
1	049426-000	GRATE, CENTER, ASM	2	EA	
	NOTE	(ON OR AFTER 12/4/14)		EA	
NI	074892-000	RUBBER FOOT	8	EA	
	NOTE	(BEFORE 12/4/14)		EA	
NI	049416-000	BUMBER, GRATE	8	EA	
	NOTE	(ON OR AFTER 12/4/14)		EA	
2	007323-000	BURNER GRATE	4	EA	
	NOTE	(BEFORE 11/21/14)			
2	049420-000	GRATE, BURNER, ASM	4	EA	
	NOTE	(ON OR AFTER 11/21/14)			
	NOTE	(BEFORE 11/21/14)			
NI	049416-000	BUMBER, GRATE	16	EA	
	NOTE	(ON OR AFTER 11/21/14)			
3	066958-000	D BURNER CAP *MATTE BLACK*	4	EA	
4	067033-000	HEAD, BURNER, SEALED	4	EA	
5	003322-040	SEALED BURNER BASE, TURNED FINISH	4	EA	
5	003322-041	SEALED BURNER BASE, PAINTED FINISH- GRAY	4	EA	
6	E9107413BK	MAIN TOP 30" *BK*	1	EA	
6	E9107413WH	MAIN TOP 30" *WH*	1	EA	
7	PB020192	10" FLEX TUBING W/CONNECTORS	1	EA	
8	007815-000	SHIELD, HEAT, SOLENOID	1	EA	
9	005372-000	BROIL TUBING	1	EA	
10	006338-000	BAKE TUBING	1	EA	
11	PA010139	F J T VALVE REPL PA010079	2	EA	
	NOTE	(BEFORE 10/24/11)		EA	
11	009112-000	VALVE, SOL, DOUBLE	1	EA	
	NOTE	(ON OR AFTER 10/24/11)		EA	
12	007502-000	MANIFOLD TUBING	1	EA	

Item	Part No.	Name	Qty	Uom	NOTES
13	002920-000	TOP TRIM RING, RH	1	EA	
14	004021-000	SUPPORT,TRIM,SIDE	2	EA	
15	007485-000	TRAY, INSL	1	EA	
16	003860-000	10-18 x .500 FASTNR,SCR,HXWH,STL,ZPLT	31	EA	
17	002755-000	BURNER BOX SIDE, RH	1	EA	
18	006958-000	PANEL, CTR	1	EA	
19	PD040005	SNAP BUSHING - 7/8"	2	EA	
20	002925-000	FRONT SUPPORT, BURNER BOX	1	EA	
NI	051431-000	VGSC536-6B / 4Q TROUGH KIT	1	EA	
	NOTE	(FOR UNITS MANUFACTURED PRIOR TO SERIAL # 061114C10138291)			
21	003481-000	BURNER BOX SIDE, LH	1	EA	
22	003649-000	TOP TRIM RING, LH	1	EA	
23	006035-000	SUPPORT, BACK	1	EA	
24	006687-000	REGULATOR COVER PLATE	1	EA	
25	004016-000	PLATE,SVCE,RGLT	1	EA	
26	PB020193	16" FLEX TUBING W/CONNECTORS	2	EA	
27	066197-042	15000 BTU NAT JETHOLDER	3	EA	
27	066197-046	12.5 K BTU LP JETHOLDER	3	EA	
28	002923-000	BURNER MODULE SUPPORT	2	EA	
29	066197-041	18500 BTU NAT JETHOLDER	1	EA	
29	066197-044	16.6 K BTU LP JETHOLDER	1	EA	

WIRING

NON
ILLUSTRATED PART



Item	Part No.	Name	Qty	Uom	NOTES
NI	007298-000	BAKE IGNITOR WIRE, ASM	1	EA	
	NOTE	(BEFORE 06/21/2011)		EA	
NI	024606-000	WIRE, BAKE, ELECTRODE, ASM	1	EA	
	NOTE	(ON OR AFTER 06/21/2011)		EA	
NI	007531-000	WIRE HARNESS	1	EA	
	NOTE	(BEFORE 05/27/2011)		EA	
NI	025798-000	HARNESS, WIRE VGSC530	1	EA	
	NOTE	(ON OR AFTER 05/27/2011)		EA	
NI	007537-000	PROBE HARNESS	1	EA	
NI	001754-000	HARNESS POWER DISCONNECT	1	EA	NO LONGER AVAILABLE
NI	PE070036	NYLON CABLE TIES -7"	1	EA	
NI	024699-000	RTD JUMPER HARNESS	1	EA	
NI	028913-000	SERVICE DISCONNECT HARNESS REPLACEMENT	1	EA	
NI	PE070889	IRIS HARNESS (24"/30")	1	EA	
	NOTE	(BEFORE 06/21/2011)		EA	
NI	023341-000	IRIS HARNESS 24, 30	1	EA	
	NOTE	(ON OR AFTER 06/21/2011)		EA	
NI	023750-000	CORD, SUPPLY	1	EA	
NI	000647-000	IRIS IGNITOR WIRE, FRONT BURNER	1	EA	
NI	006766-000	IRIS IGNITOR WIRE, BACK BURNER	1	EA	
NI	031901-000	HARNESS, WIRE, VGSC530, SERVICE	1	EA	
NI	004133-000	CONTROL PANEL HARNESS	1	EA	
NI	024605-000	WIRE, BRL, ELECTRODE, ASM	1	EA	
NI	007378-000	LIGHT SWITCH HARNESS	1	EA	
NI	PE070796	HARN, HEADER, MODEL 4 (SEE MODEL_HEADER)	1	EA	



Appendix A:Pages Index

CAVITY INTERIOR 1
CONTROL AREA 2
DOOR ASSEMBLY 3
LOWER UNIT AND SIDE PANELS 4
OVEN ELECTRONICS 5
REAR SHEET METAL 6
SURFACE COOKING AREA 7
WIRING 8

Appendix B:Parts Index

000042-000	3	005270-000	2
000594-000	3	005280-000	4
000647-000	8	005315-000	5
001754-000	8	005329-000	1
002238-000	4	005369-000	3
002703-000	6	005372-000	7
002728-000	3	005464-000	5
002740-000	3	005503-002	4
002755-000	7	005503-003	4
002905-000	4	005503-004	4
002907-000	7	005503-005	4
002920-000	7	005503-006	4
002923-000	7	005503-007	4
002925-000	7	005503-008	4
002926-000	2	005503-009	4
003011-000	3	005503-010	4
003012-000	3	005503-011	4
003052-000	4	005503-012	4
003054-000	4	005503-013	4
003055-000	4	005503-014	4
003056-000	4	005503-015	4
003322-040	7	005503-016	4
003322-041	7	005503-017	4
003481-000	7	005503-018	4
003588-000	4	005503-019	4
003649-000	7	005503-020	4
003719-000	2	005503-021	4
003810-000	6	005503-022	4
003860-000	1, 4, 5, 6, 7	005503-023	4
004016-000	7	005503-024	4
004021-000	7	005503-025	4
004133-000	8	005503-026	4
004285-000	6	005503-027	4
004464-000	6	005506-002	4
004479-000	4	005506-003	4
004482-000	4	005506-004	4
004688-000	3	005506-005	4
004691-000	3	005506-006	4
005102-000	1	005506-007	4
005269-000	2	005506-008	4
		005506-009	4

005506-010	4	007147-000	2
005506-011	4	007278-000	1
005506-012	4	007298-000	8
005506-013	4	007323-000	7
005506-014	4	007361-002	4
005506-015	4	007361-003	4
005506-016	4	007361-004	4
005506-017	4	007361-005	4
005506-018	4	007361-006	4
005506-019	4	007361-008	4
005506-020	4	007361-009	4
005506-021	4	007361-010	4
005506-022	4	007361-012	4
005506-023	4	007361-013	4
005506-024	4	007361-015	4
005506-025	4	007361-016	4
005506-026	4	007361-017	4
005506-027	4	007361-018	4
005516-000	6	007361-019	4
005529-000	1	007361-020	4
005536-000	4	007361-021	4
005537-000	4	007361-022	4
006035-000	6, 7	007361-023	4
006114-000	5	007361-024	4
006198-000	4	007361-025	4
006199-000	4	007361-026	4
006313-000	2	007361-027	4
006338-000	7	007378-000	8
006637-000	6	007400-000	6
006638-000	6	007484-000	6
006687-000	6, 7	007485-000	6, 7
006744-000	4	007486-000	6
006766-000	8	007488-000	4
006949-000	6	007489-000	6
006950-000	5	007490-000	6
006952-000	6	007491-000	6
006958-000	7	007502-000	7
006959-000	5	007531-000	8
006961-000	6	007537-000	8
006962-000	6	007583-000	3
007008-000	1	007815-000	7



008026-000	1	024606-000	8
008415-000	2	024699-000	8
009112-000	7	025711-2057	2
009331-000	2	025798-000	8
012565-000	5	028913-000	8
012930-002	3	030823-000	3
012930-012	3	031679-000	1
013386-000	2	031901-000	8
015981-000	5	031961-000	6
020404-000	1	032123-000	6
020409-000	1	032131-000	6
023090-000	1	032138-000	6
023341-000	8	032157-000	6
023453-000	3	032179-000	6
023454-002	3	032208-000	6
023454-003	3	032238-000	6
023454-004	3	034927-000	6
023454-005	3	034928-000	6
023454-006	3	035795-000	2, 2
023454-008	3	035881-000	2
023454-009	3	035887-000	2
023454-010	3	035893-000	2
023454-012	3	035955-000	4
023454-013	3	038426-000	4
023454-015	3	038577-002	4
023454-016	3	038577-003	4
023454-017	3	038577-004	4
023454-018	3	038577-005	4
023454-019	3	038577-006	4
023454-020	3	038577-008	4
023454-021	3	038577-009	4
023454-022	3	038577-010	4
023454-023	3	038577-012	4
023454-024	3	038577-013	4
023454-025	3	038577-015	4, 4
023454-026	3	038577-017	4, 4
023454-027	3	038577-019	4
023651-000	5	038577-020	4
023750-000	8	038577-021	4
024604-000	3	038577-022	4
024605-000	8	038577-023	4

038577-024	4	G9104482	1
038577-025	4	M0210443	1
038577-026	4	PA010012	2
038577-027	4	PA010139	7
040345-000	1	PA020056	5
040736-000	1	PA070003	2
040863-000	1	PB020192	7
041445-000	6	PB020193	7
044178-000	4	PB040170	1
049416-000	7, 7	PB040171	1
049420-000	7	PB060030	1
049426-000	7	PB060044	1
049718-402	1	PD010003	1, 3, 6
050172-000	2	PD020002	3
051431-000	7	PD020004	3, 5
066197-041	7	PD020013	5
066197-042	7	PD020014	3
066197-044	7	PD020032	2
066197-046	7	PD020046	2, 6
066225-402	1	PD020048	1
066958-000	7	PD020056	6
067033-000	7	PD020061	5
068456-000	1	PD020063	3, 4
068653-601	1	PD020067	1
074892-000	7	PD020076	5, 6
085109-000	1	PD020232	1
A1002596	1	PD030010	1
A20012649	5	PD040005	5, 6, 6, 7
A2002189	3	PD120044	2
A2002595	1	PE010016	3
A2002654	6	PE050023	2
A2004428	1	PE050024	2
A2004429	4	PE050057	1
A2004439	1	PE050208	5
A2007943	3	PE050250	5
B2005589	1	PE060039	3
E9107413BK	7	PE060064	3
E9107413WH	7	PE070036	8
E9107933	1	PE070796	8
E9107934	1	PE070889	8
G9102745	3	PJ030034	2



PJ030035 2
PJ030039 5